

UKKO C5



UKKO LED High bay luminaire is designed to replace traditional HID High bays.

Two different sizes, several mounting options, lumen packages and optical systems make the UKKO High bay a multi-functional tool that provides the right solution for a variety of applications in industry, logistics and sports.

Flat-shape design gives the flexibility to install the luminary by hook, pendant or bracket.

There are several optical solutions to choose from. Innovative anti glare unit makes the light more comfortable and safer, especially in UGR sensitive applications.



UKKO C5



Luminous flux	14,000lm - 34,500lm
Correlated color temperature	3000K, 4000K, 5000K, 6000K
Light source	Integral LED module
Housing	ADC12 die-cast aluminium
Cover	5mm tempered glass / PMMA lens
Screws	304 stainless screws
Driver	Meanwell/Inventronic/Signify
Electrical	Class I
Input voltage	90-305VAC / 50-60Hz
Surge protection	Optional
Dimming	1-10V / DALI
External cable	2m (other length available upon request)
Lifetime	100,000 hours (at 25°C).
Light fitting protection	IP65; IK09, C5M anti corrosion class
Operating temperature	-30° to 80°C
Standards	IEC/EN
Country of origin	Made in EU

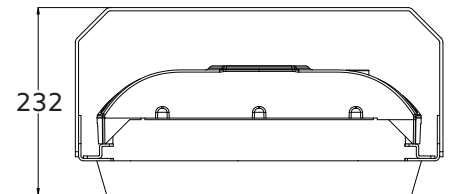
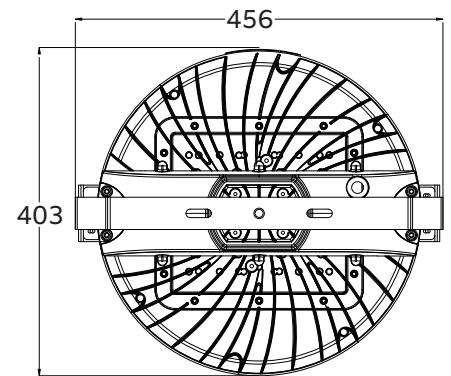
OPTIONAL FEATURES

- Wall/ceiling mounting
- Antiglare unit

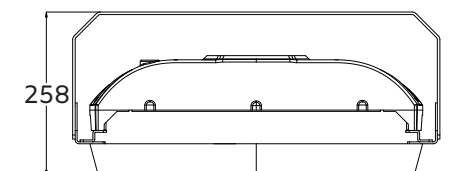
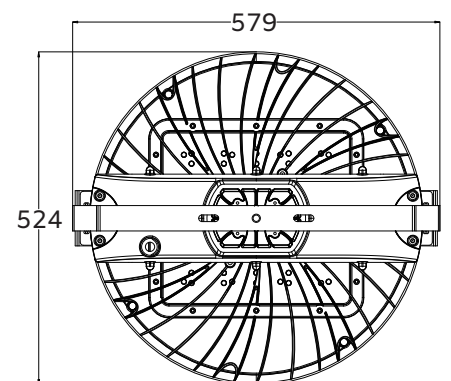


UKKO C5

Name	Luminous flux netto (lm)	Power (W)	Efficacy (lm/W)	Standard CCT (K)
UKKO C5 100	14000	100	140	4000
UKKO C5 145	20000	145	138	4000
UKKO C5 200	27500	200	138	4000
UKKO C5 240	34500	240	144	4000



UKKO HIGH BAY 100/145



UKKO HIGH BAY 200/240