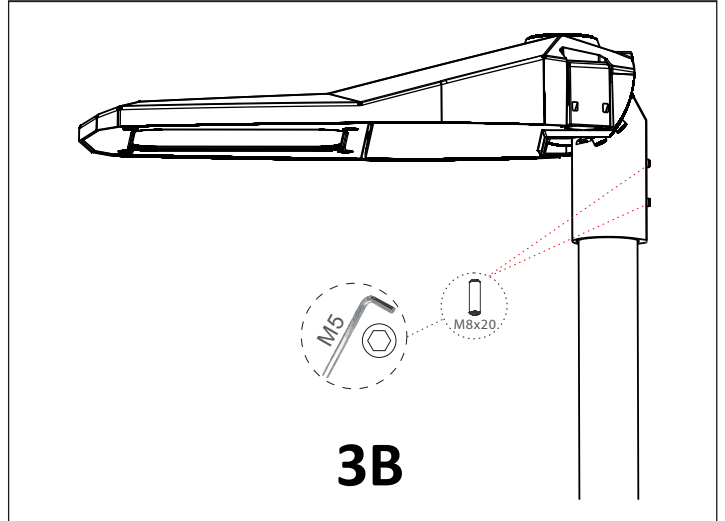
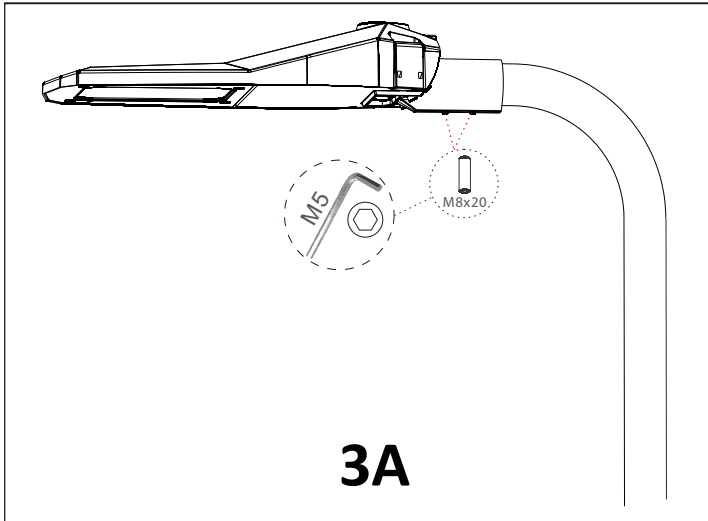
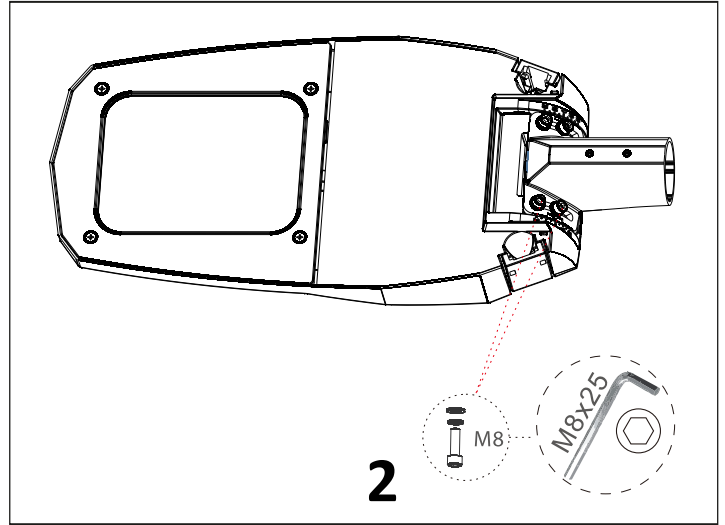
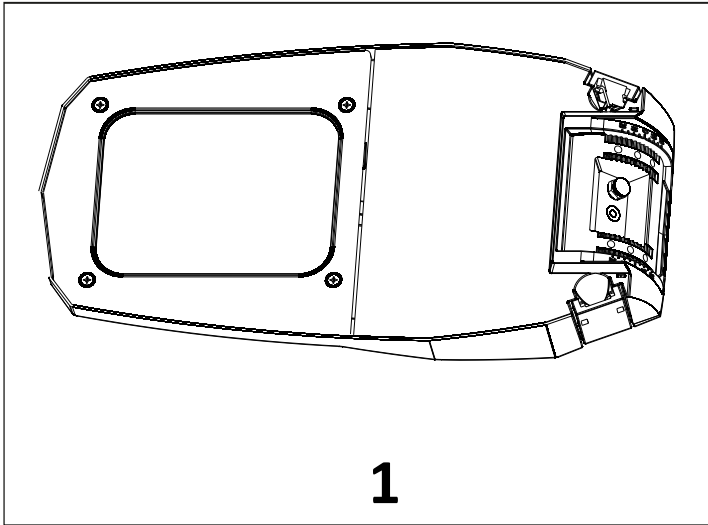
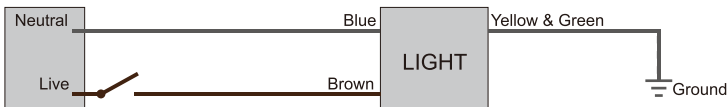


SOLA Series INSTALLATION MANUAL



A. Class I Standard



A. Class II Standard



Wiring:

1. Connect supply wires to luminaire wire leads per the wiring diagram using methods that comply with all applicable codes.
2. Turn power on.

The luminaire shall only be repaired or maintained by the manufacturer or his service agent or a qualified electrician.



Caution, risk of electric shock



This marking indicates that this product should not be disposed with other household wastes throughout the EU. To prevent possible harm to the environment or human health from uncontrolled waste disposal, recycle it responsibly to promote the sustainable reuse of material resources. To return your used device, please use the return and collect on systems or contact the retailer where the product was purchased. They can take this product for environmental safe recycling.