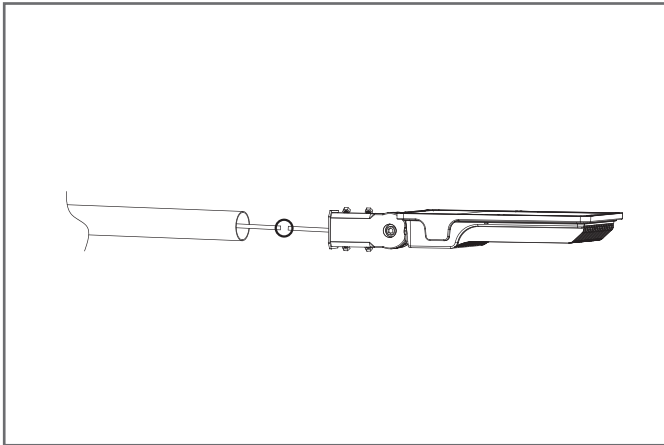


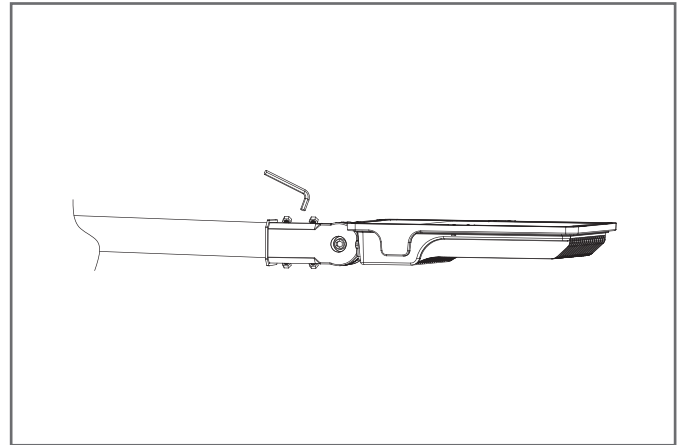
Application and safety notes

- Carefully read and follow all warnings and instructions before installing or servicing the luminaire.
- The installation should be done by an individual familiar with the construction and operation of the luminaire.
- The installation of this luminaire must be in accordance with national and local building and electrical codes.
- The product must not be damaged or operated in a damaged condition.
- This luminaire must be directly wired on line. Any ballast or other power device previously used with the replaced luminaire must be removed.
- Between the luminaire and any possibly flammable material must be an appropriate safety space (at least 20cm).
- The luminaire must not be covered with heat insulating materials.
- Always provide proper ventilation around the luminaire and do not exceed the maximum ambient temperature.
- Compared to traditional lights the characteristic light distribution of this LED luminaire may differ. In order to be sure to meet your lighting requirements a photometric check of the installation is recommended.

Billboard light / Street light installation instruction

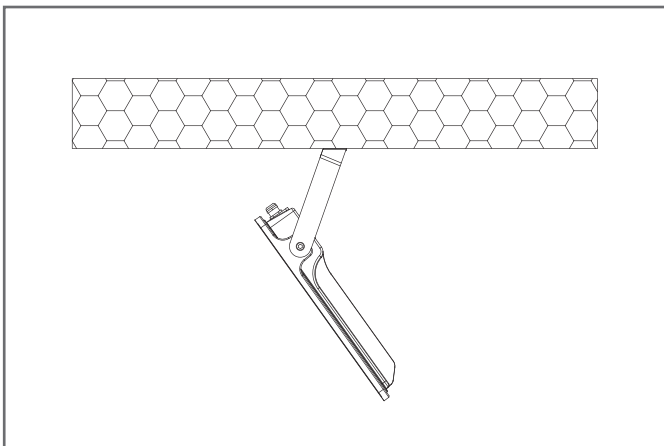


① Connect to power supply AC 100-277V.

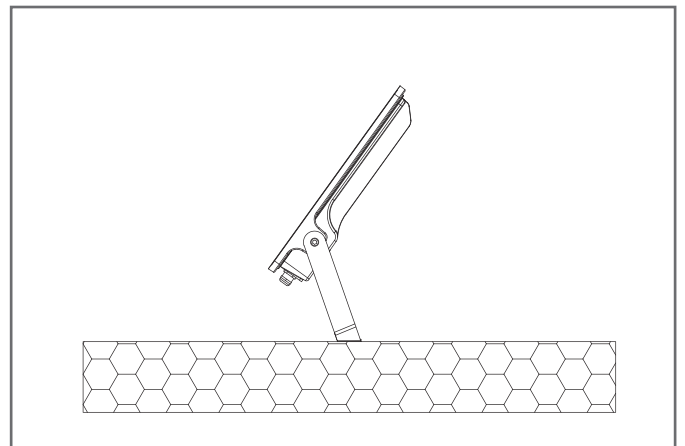


② Install the hole lamp on the pole and tighten four M8 screws.

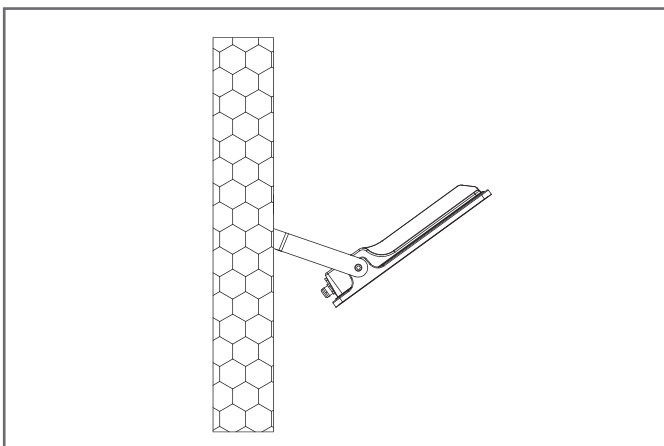
Flood light installation instruction



Ceiling mounted



Wall mounted



Socket mounted

